

**BROOKS**  
EQUIPMENT



**SANY**

# QUALITY CHANGES THE WORLD

PERFECTION AS A FOUNDATION.  
EFFICIENCY AS A BENCHMARK.



**SMALL EXCAVATOR**

**SY75C**

Product Specifications

OPERATING WEIGHT

**7,280 kg**

GROSS POWER

**42.4 kW**

BUCKET BREAKOUT

**53.0 kN**

ENGINE

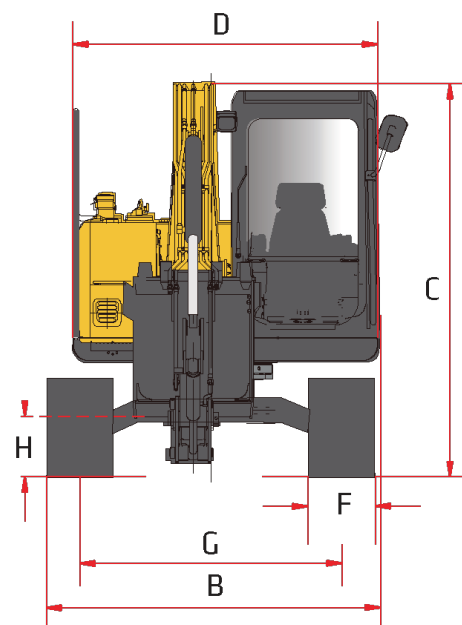
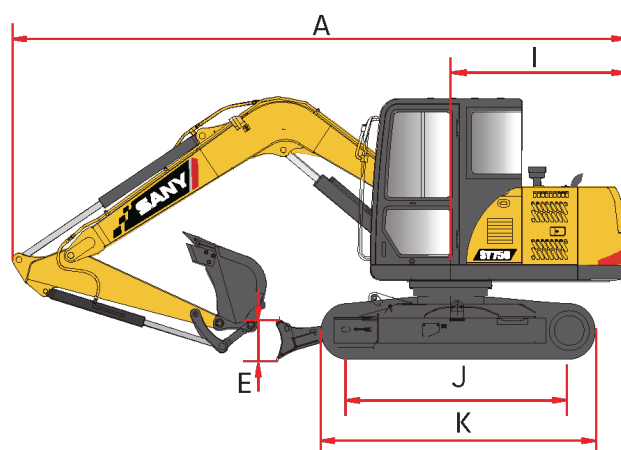
**Yanmar 4TN98C**

## STANDARD FEATURES

- Designed with high engine output power, fast speed and high fuel efficiency
- Equipped with joystick controlled, proportional, bi-directional auxiliary hydraulics
- Extra reinforcements in the boom, arm, swing platform and undercarriage increase machine stability and service life
- Powered by a reliable, efficient Yanmar Stage engine

## TECHNICAL SPECIFICATIONS

Operating Weight	7280 kg   16,050 lb
Ground Pressure	33.0 kPa   4.8 psi
<b>Engine</b>	Yanmar 4TN98C
Displacement	3.32 L
Gross Power	42.4 kW
<b>Hydraulics</b>	Load Sensing with Pilot Control
Main Hydraulic Pump	Axial Piston - Variable Displacement
Operating Flow (maximum)	149.0 L/min   39.4 gal/min
Operating Pressure (maximum)	26.3 MPa   3814 psi
<b>Travel Motor</b>	Axial Piston with Park Brake
Travel Pressure (maximum)	26.3 MPa   3814 psi
Travel Speeds (maximum)	2.8 / 5.3 km/hr   2.1/4.2 mph
Travel Effort (maximum)	56.8 kN   12,769 lbf
Grade Capability (maximum)	35°
<b>Swing Motor</b>	Axial Piston with Swing Brake
Swing Pressure (maximum)	21.6MPa   3133 psi
Swing Speed (maximum)	10.5 RPM
<b>Undercarriage (standard)</b>	Belted Rubber Track
Track Shoe width (standard)	450mm   18"
Track Rollers (per side)	5
Carrier Rollers (per side)	1



## OVERALL DIMENSIONS

Boom Length	3720 mm	12' 2"
Stick (Arm) Length	2050 mm	6' 9"
A. Transport Length	6125 mm	20' 1"
B. Transport Width	2220 mm	7' 3"
C. Transport Height	2720 mm	8' 11"
D. Upper Structure Width	2040 mm	6' 8"
E. Blade Height	405 mm	16"
F. Track Width (standard shoe)	450 mm	18"
G. Track Gauge	1750 mm	5' 9"
H. Ground Clearance	380 mm	15"
I. Tail Swing Radius	1800 mm	5' 11"
J. Track Length on Ground	2195 mm	7' 2"
K. Track Length	2820 mm	9' 3"



1300 BROOKS (276 657)  
 @ service@brooksequipment.com.au  
 www.brooksequipment.com.au

# BROOKS

## EQUIPMENT

## WORKING RANGE

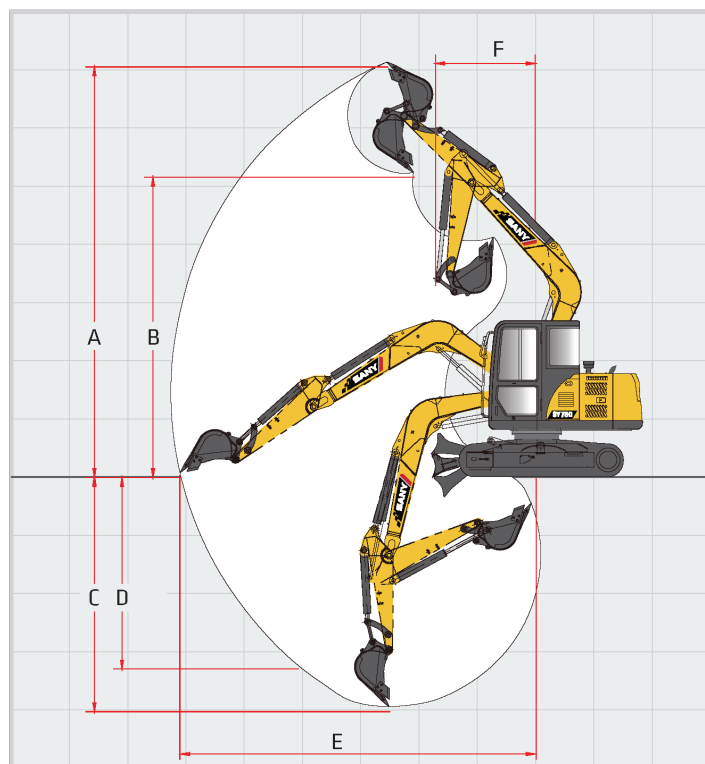
Boom Length	3720 mm	12' 2"
Stick (Arm) Length	2050 mm	6' 9"
A Maximum Digging Height	7390 mm	24' 3"
B Maximum Dumping Height	5490 mm	18' 0"
C Maximum Digging Depth	4450 mm	14' 7"
D Maximum Vertical Wall Digging Depth	3840 mm	12' 7"
E Maximum Reach at Ground Level	6505 mm	21' 4"
F Minimum Swing Radius	1940 mm	6' 4"

## SERVICE REFILL CAPACITIES

Fuel Tank Capacity	150.0 L	39.6 gal
Hydraulic Tank Capacity	120.0 L	31.7 gal
Engine Oil Capacity	11.0 L	2.9 gal
Cooling System Capacity	10.8 L	2.9 gal

## DIGGING PERFORMANCE

Boom Length	3720 mm	12' 2"
Stick (Arm) Length	2050 mm	6' 9"
Bucket Breakout Force (ISO)	53.0 kN	
Stick (Arm) Digging Force (ISO)	35 kN	



☎ 1300 BROOKS (276 657)  
 @ service@brooksequipment.com.au  
 🌐 www.brooksequipment.com.au

# BROOKS

## EQUIPMENT