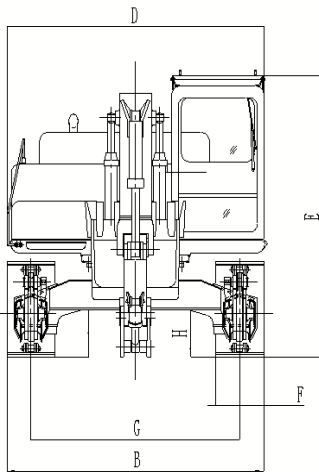


Overall Dimensions

(Unit:mm)

SY365H

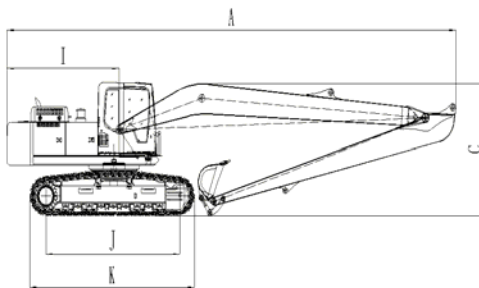


| | |
|--|-------|
| A Overall length (in transportation state) | 22600 |
| B Overall width (in transportation /operation state) | 3190 |
| C Overall height (in transportation state) | 3261 |
| D Upper width | 3150 |
| E Overall height (cab top) | 3320 |
| F Width of track shoe | 600 |
| G Track gauge | 2590 |
| H Minimum ground clearance | 550 |
| I Slewing radius of tail | 3560 |
| J Ground contact length of track | 4140 |
| K Track shoe length | 5065 |

Performance Parameters

Standard

SY365H

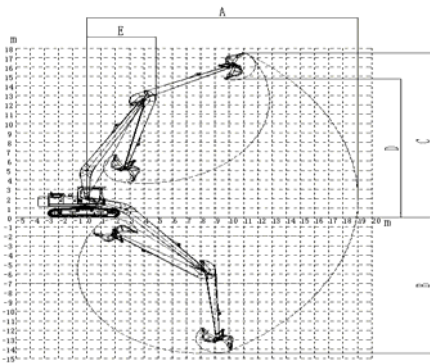


| | |
|--------------------------------|----------|
| Overall weight (kg) | 51500 |
| Boom length(mm) | 11200 |
| Length of bucket rod(mm) | 7300 |
| Bucket capacity (m3) | 0.8 |
| Rated power (kW/rpm) | 300/1800 |
| Traveling speed:high/low(km/h) | 5.5/3.5 |
| Gradeability | 70%/35° |
| Ground pressure(kPa) | 65 |
| Digging force of bucket(kN) | 235 |
| Digging force of arm(kN) | 180 |

Operation Range

(Unit:mm)

SY365H



| | |
|----------------------------|-------|
| A Maximum digging distance | 19040 |
| B Maximum digging depth | 14466 |
| C Maximum digging height | 17504 |
| D Maximum unloading height | 14754 |
| E Minimum slewing radius | 4832 |

Note

Material and specifications are subject to change without notice.
 Feature machines in photos may include additional equipment.