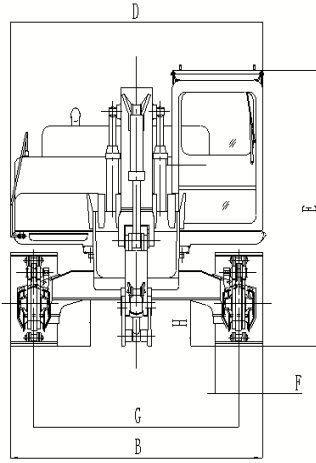


Overall Dimensions

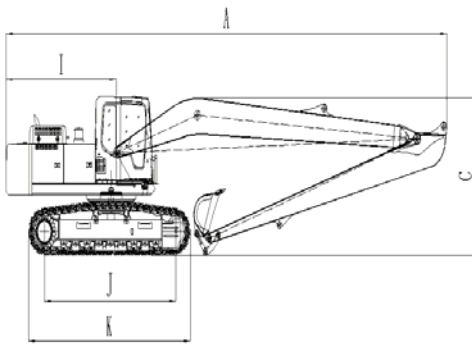
(Unit:mm)



	SY215LR
A Overall length (in transportation state)	12787
B Overall width (in transportation /operation state)	3180
C Overall height (in transportation state)	2961
D Upper width	2785
E Overall height (cab top)	3075
F Width of track shoe	800
G Track gauge	2380
H Minimum ground clearance	470
I Slewing radius of tail	2898
J Ground contact length of track	3640
K Track shoe length	4446

Performance Parameters

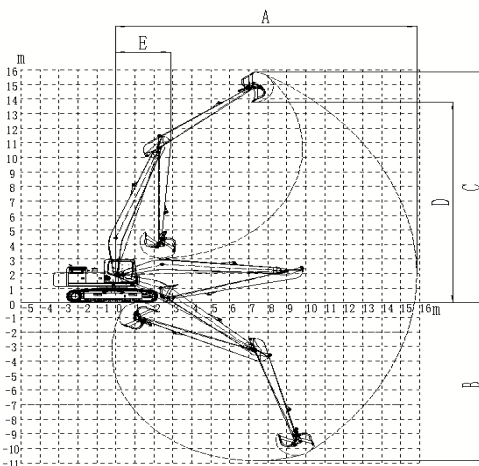
Standard



	SY215LR
Overall weight(kg)	26150
Boom length(mm)	9000
Length of bucket rod(mm)	6500
Bucket capacity (m3)	0.5
Rated power (kW/rpm)	114/2050
Traveling speed:high/low(km/h)	5.4/3.3
Gradeability	70%/35°
Ground pressure(kPa)	42.9
Digging force of bucket(kN)	88.2
Digging force of arm(kN)	61.7

Operation Range

(Unit:mm)



	SY215LR
A Maximum digging distance	15846
B Maximum digging depth	10845
C Maximum digging height	15873
D Maximum unloading height	13762
E Minimum slewing radius	2895

Note

Material and specifications are subject to change without notice.
 Feature machines in photos may include additional equipment.