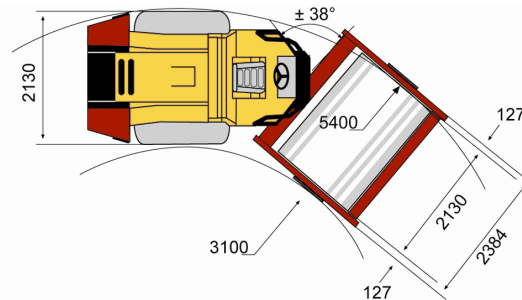
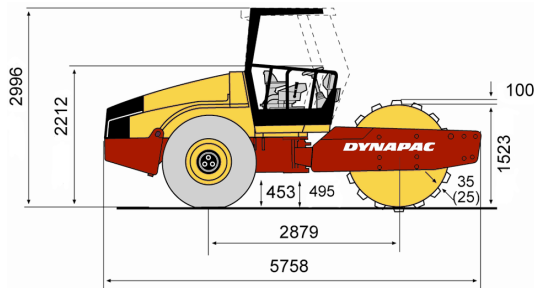


# DYNAPAC

Part of the Atlas Copco Group

## CA362PD

### Single drum vibratory rollers



	CA362PD
<b>Masses</b>	
Operating mass (incl. Cab)	14,100 kg
Front module mass	8,150 kg
Rear module mass	5,950 kg
<b>Traction</b>	
Speed range (km/ h)	0-13
Number of pads	150
Pad area	146 cm <sup>2</sup>
Vertical oscillation	±9°
Tyre size (8 ply)	23,1x26
Theor. gradeability	55 %
<b>Compaction</b>	
Centrifugal force, at high amplitude	300 kN
Centrifugal force, at low amplitude	146 kN
Nominal amplitude, high	1.6 mm
Nominal amplitude, low	0.8 mm
Vibration frequency, at high amplitude	33 Hz
Vibration frequency, at low amplitude	33 Hz
<b>Engine</b>	
Manufacturer/ Model	Cummins QSB6.7 T3
Type	Water cooled turbo Diesel with After Cooler
Rated power	112 kW
Rated power	150 hp
Rated power @	2,200 rpm
Rated power (rating standard)	SAE J1995
Fuel tank capacity	320 l
<b>Hydraulic system</b>	
Driving	Axial piston pump with variable displacement. Axial piston motor with variable displacement. Axial piston motor with constant displacement.
Vibration	Axial piston pump with variable displacement. Axial piston motors (2) with constant displacement.
Steering	Gear pump with constant displacement.
Service brake	Hydrostatic in forward and reverse lever.
Parking/ Emergency brake	Failsafe multidisc brake in drum gear box and in the rear axle.

Find your local dealer at [www.dynapac.com](http://www.dynapac.com)

We reserve the right to change specifications without notice. Photos and illustrations do not always show standard versions of machines. The above information is a general description only, all informations are supplied without liability.

ca362pd\_au-20100218.163653.pdf 2010-02-18 16:36