

BROOKS
EQUIPMENT



SANY



POWERFUL AND ROBUST



SMALL EXCAVATORS

SY60U

Product Specifications

OPERATING WEIGHT

6,100 kg

GROSS POWER

42.4 kW / 56.9 hp

DIG DEPTH

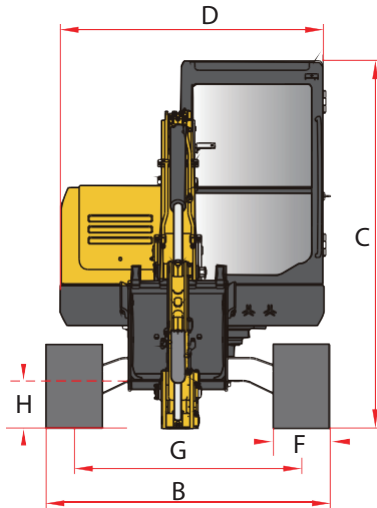
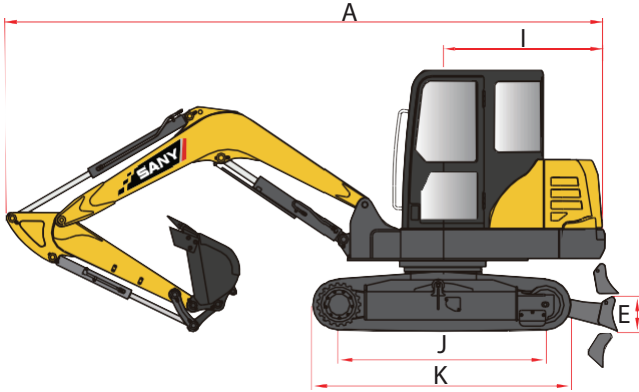
3950mm

ENGINE

Yanmar 4TNV98C-WSY

SY60C | PRODUCT SPECIFICATIONS

DIMENSIONS



DIMENSIONS

Boom Length	3000 mm	9' 10"
Stick (Arm) Length	1700 mm	5' 7"
A Transport Length	6015 mm	19' 9"
B Transport Width	2005 mm	6' 7"
C Transport Height	2645 mm	8' 8"
D Upper Structure Width	1860 mm	6' 1"
E Blade Height	340 mm	13"
F Track Width (standard shoe)	400 mm	16"
G Track Gauge	1600 mm	5' 3"
H Ground Clearance(minimum)	330 mm	13"
I Tail Swing Radius	1640 mm	5' 5"
J Track Length on Ground	2045 mm	6' 9"
K Track Length	2545 mm	8' 4"

Powerful, robust and reliable powertrain and hydraulic components

TECHNICAL SPECIFICATIONS

Operating Weight	6100 kg	13,448 lb
Ground Pressure	34.6 kPa	5.0 psi
Engine	Yanmar 4TNV98C-WSY	
Displacement	3.3 L	202.5 in ³
Gross Power	42.4 kW	56.9 HP
Hydraulics	Load Sensing with Pilot Control	
Main Hydraulic Pump	Axial Piston – Variable Displacement	
	142.7 L/min	37.7 gal/min
Operating Pressure(maximum)	24.5 MPa	3553 psi
Travel Motor	Axial Piston with Park Brake	
Travel Pressure (maximum)	24.5 MPa	3553 psi
	2.4 / 3.7 km/hr	1.5 / 2.3 mph
Travel Effort (maximum)	47.2 kN	10,611 lbf
Grade Capability(maximum)	35°	
Swing Motor	Axial Piston with Swing Brake	
	19.1 MPa	2770 psi
Swing Speed(maximum)	9.6 RPM	
Undercarriage (standard)	Belted Rubber Track	
Track Shoe width (standard)	400 mm	16"
	5	
Carrier Rollers (per side)	1	

SERVICE REFILL CAPACITIES

Fuel Tank Capacity	130.0 L	34.3 gal
Hydraulic Tank Capacity	85.0 L	22.5 gal
Engine Oil Capacity	9.6 L	2.5 gal
Cooling System Capacity	5.6 L	1.5 gal



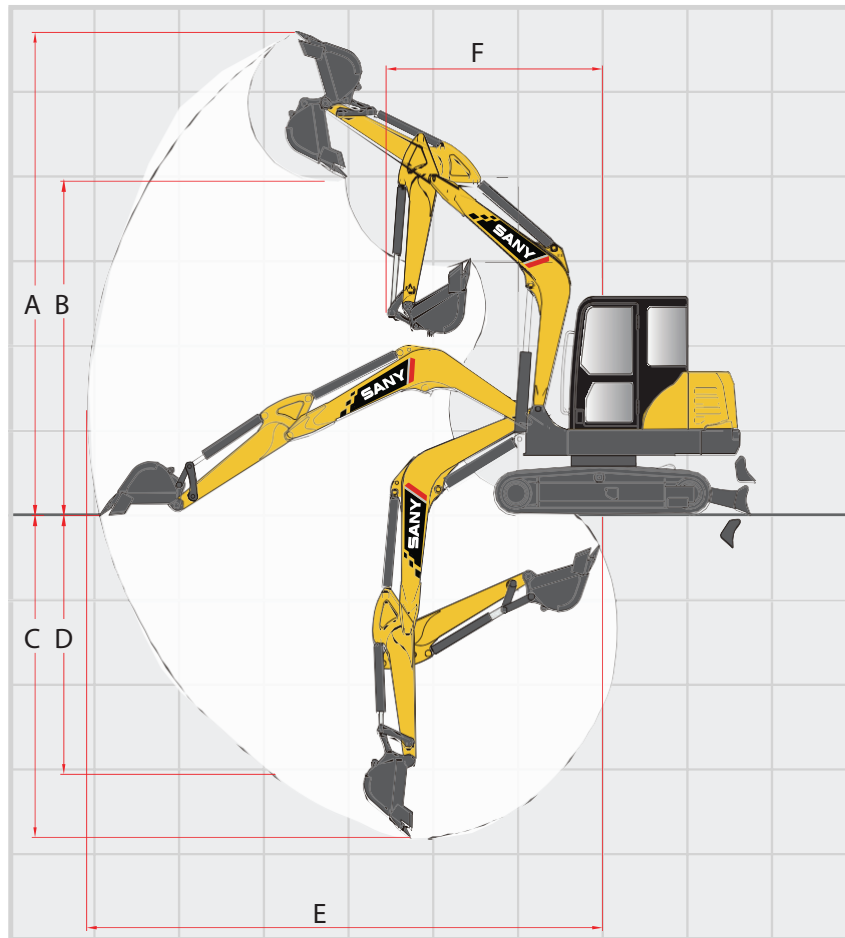
1300 BROOKS (276 657)

@ service@brooksequipment.com.au

www.brooksequipment.com.au

BROOKS
EQUIPMENT

WORKING RANGE



WORKING RANGE

Boom Length	3000 mm	9' 10"
Stick (Arm) Length	1700 mm	5' 7"
A Maximum Digging Height	5790 mm	19' 0"
B Maximum Dumping Height	4060 mm	13' 4"
C Maximum Digging Depth	3950 mm	13' 0"
D Maximum Vertical Wall Digging Depth	3180 mm	10' 5"
E Maximum Reach at Ground Level	6320 mm	20' 9"
F Minimum Swing Radius	2555 mm	8' 5"

DIGGING PERFORMANCE

Boom Length	3000 mm	9' 10"
Stick (Arm) Length	1700 mm	5' 7"
Bucket Breakout Force (ISO)	45.0 kN	10,116 lbf
Stick (Arm) Digging Force (ISO)	33.0 kN	7,419 lbf



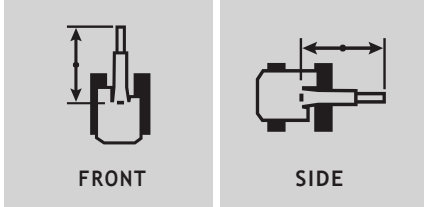
☎ 1300 BROOKS (276 657)

@ service@brooksequipment.com.au

🌐 www.brooksequipment.com.au

BROOKS
EQUIPMENT

SY60C | LIFTING PERFORMANCE



LOAD RADIUS	2.0 m 6.6 ft		3.0 m 9.8 ft		4.0 m 13.1 ft		5.0 m 16.4 ft		MAX REACH	
LOAD POINT HEIGHT										
4.0 m 13.1 ft					1000 kg* 2,205 lb	1000 kg 2,205 lb			1100 kg* 2,425 lb*	850 kg 1,874 lb
3.0 m 9.8 ft					1150 kg* 2,535 lb*	1000 kg 2,205 lb	1100 kg* 2,425 lb*	650 kg 1,433 lb	1150 kg* 2,535 lb*	650 kg 1,433 lb
2.0 m 6.6 ft			1800 kg* 3,968 lb*	1400 kg 3,086 lb	1350 kg* 2,976 lb*	950 kg 2,094 lb	1200 kg* 2,646 lb*	650 kg 1,433 lb	1200 kg* 2,646 lb*	600 kg 1,323 lb
1.0 m 3.3 ft			2450 kg* 5,401 lb*	1250 kg 2,756 lb	1650 kg* 3,638 lb*	850 kg 1,874 lb	1350 kg* 2,976 lb*	650 kg 1,433 lb	1250 kg* 2,756 lb*	550 kg 1,213 lb
0 m 0 ft			2800 kg* 6,173 lb*	1200 kg 2,646 lb	1850 kg* 4,079 lb*	800 kg 1,764 lb	1400 kg* 3,086 lb*	600 kg 1,323 lb	1350 kg* 2,976 lb*	600 kg 1,323 lb
-1.0 m -3.3 ft	3800 kg* 8,378 lb*	2400 kg 5,291 lb	2750 kg* 6,063 lb*	1200 kg 2,646 lb	1850 kg* 4,079 lb*	800 kg 1,764 lb			1450 kg* 3,197 lb*	650 kg 1,433 lb
-2.0 m -6.6 ft	4000 kg* 8,818 lb*	2350 kg 5,181 lb	2450 kg* 5,401 lb*	1200 kg 2,646 lb	1550 kg* 3,417 lb*	850 kg 1,874 lb			1550 kg* 3,417 lb*	850 kg 1,874 lb

LOAD RADIUS	2.0 m 6.6 ft		3.0 m 9.8 ft		4.0 m 13.1 ft		5.0 m 16.4 ft		MAX REACH	
LOAD POINT HEIGHT										
4.0 m 13.1 ft					1000 kg* 2,205 lb*	1000 kg 2,205 lb			1000 kg* 2,205 lb*	850 kg 1,874 lb
3.0 m 9.8 ft					1000 kg* 2,205 lb*	1000 kg 2,205 lb	900 kg* 1,984 lb*	650 kg 1,433 lb	900 kg* 1,984 lb*	650 kg 1,433 lb
2.0 m 6.6 ft			1800 kg* 3,968 lb*	1400 kg 3,086 lb	1300 kg* 2,866 lb*	950 kg 2,094 lb	900 kg* 1,984 lb*	650 kg 1,433 lb	800 kg* 1,764 lb*	600 kg 1,323 lb
1.0 m 3.3 ft			1800 kg* 3,968 lb*	1250 kg 2,756 lb	1200 kg* 2,646 lb*	850 kg 1,874 lb	900 kg* 1,948 lb*	650 kg 1,433 lb	800 kg* 1,764 lb*	550 kg 1,213 lb
0 m 0 ft			1750 kg* 3,858 lb*	1200 kg 2,646 lb	1150 kg* 2,535 lb*	800 kg 1,764 lb	850 kg* 1,874 lb*	600 kg 1,323 lb	800 kg* 1,764 lb*	600 kg 1,323 lb
-1.0 m -3.3 ft	3600 kg* 7,937 lb*	2400 kg 5,291 lb	1750 kg* 3,858 lb*	1200 kg 2,646 lb	1150 kg* 2,535 lb*	800 kg 1,764 lb			900 kg* 1,984 lb*	650 kg 1,433 lb
-2.0 m -6.6 ft	3700 kg* 8,157 lb*	2350 kg 5,181 lb	1800 kg* 3,968 lb*	1200 kg 2,646 lb	1200 kg* 2,646 lb*	850 kg 1,874 lb			1200 kg* 2,646 lb*	850 kg 1,874 lb

* Indicates load limited by hydraulic lifting capacity



1300 BROOKS (276 657)

@ service@brooksequipment.com.au

www.brooksequipment.com.au

BROOKS
EQUIPMENT