

SUPERIOR PERFORMANCE

EXCELLENT ADAPTABILITY
LOW COST OF MAINTENANCE
LONG-TIME USAGE



LARGE EXCAVATOR RANGE

SY500H

Product Specifications

OPERATING WEIGHT

50,500 kg

GROSS POWER

300 kW

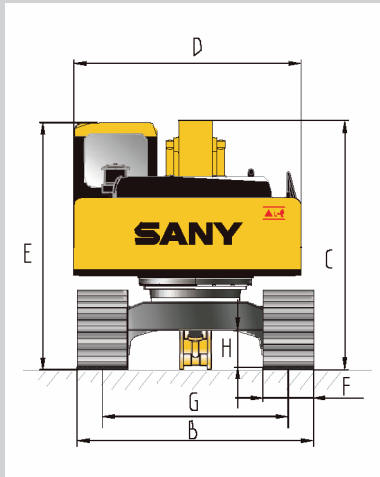
BUCKET CAPACITY

2.5m³

ENGINE

Isuzu 6WG1X

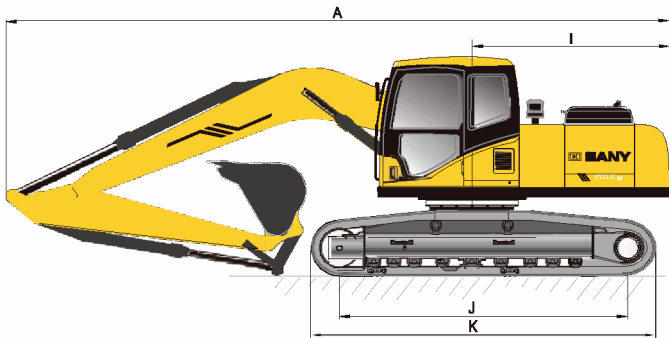
OVERALL DIMENSIONS



ITEM	mm
A Transport Length	12095
B Transport Width	3360
C Transport Height	3790
D Upper Width	3290
E Overall Height (cab top)	3470
F Width of standard track shoe	600
G Track Gauge	2740
H Min. Ground Clearance	560
I Tail Swing Radius	3765
J Ground Contact Length of Track	4415
K Track Shoe Length	5440

WORKING RANGE

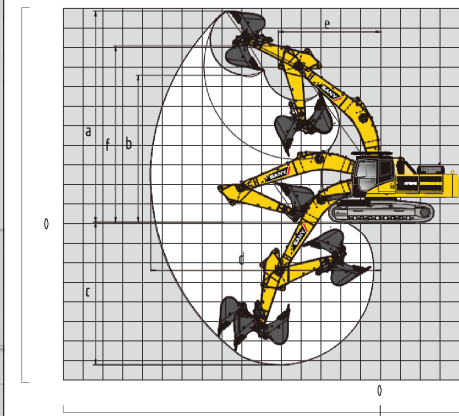
ITEM	mm
A Maximum Digging Height	10950
B Maximum Unloading Height	7450
C Maximum Digging Depth	7490
D Maximum Excavating Distance	11860
E Minimum Swing Radius	5240
F Height at Minimum Swing Radius	9100



MACHINE PARAMETERS

Operating Weight	50500 kg
Engine Type	ISUZU 6WG1X
Engine Max Power (Gross)	300/1800 kW/rpm
Engine Max Torque	1950/1400 N-m/rpm
Engine Displacement	15.681L
Swing Speed	8 rpm
Travel Speed	3.1/5.4 km/h
Fuel Tank Capacity	680 L
Engine Oil Capacity	50 L
Gradeability	35 degrees
Bucket Digging Force	287 kN
Arm Digging Force	245 kN
Bucket Capacity	2.5 m ³
Boom Length	7000 mm
Arm Length	3000 mm

OPERATING RANGE



Material and specifications are subject to change without notice.
Feature machines in photos may include additional equipment.



1300 BROOKS (276 657)

@ service@brooksequipment.com.au

www.brooksequipment.com.au

BROOKS
EQUIPMENT