

LEADING INNOVATION



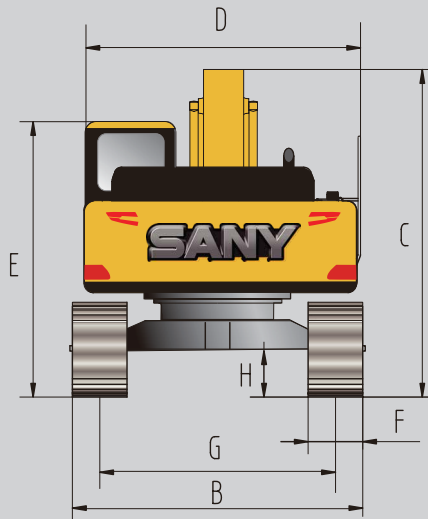
LARGE EXCAVATOR RANGE

SY365H

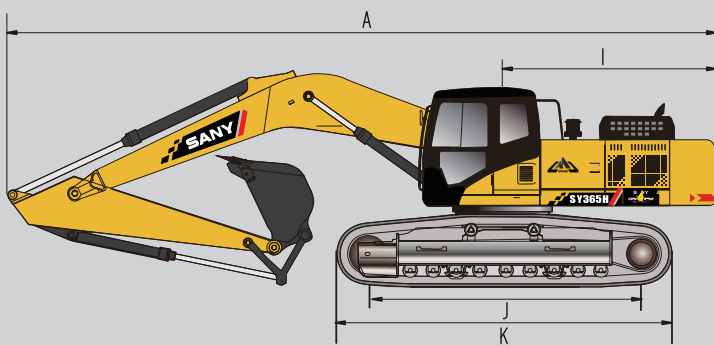
Product Specifications

- OPERATING WEIGHT
36,000 kg
- GROSS POWER
212 kW / 2000 rpm
- BUCKET CAPACITY
1.5m³
- ENGINE
Isuzu GH-6HK1XKSC

OVERALL DIMENSIONS



ITEM	mm
A Transport Length	11530
B Transport Width	3190
C Transport Height	3545
D Upper Width	3150
E Overall Height (cab top)	3320
F Width of Standard Track Shoe	600
G Track Gauge	2590
H Min. Ground Clearance	550
I Tail Swing Radius	3560
J Center Distance of Tumblers	4140
K Track Length	5065



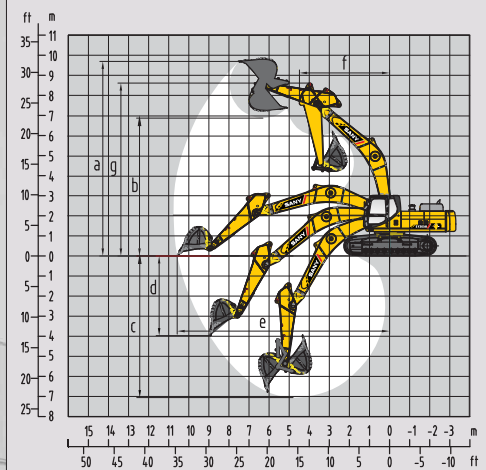
WORKING RANGE

ITEM	mm
A Maximum Digging Height	9890
B Maximum Dumping Height	6920
C Maximum Digging Depth	7050
D Maximum Vertical Digging Depth	3970
E Maximum Digging Reach	10780
F Minimum Swing Radius	4495
G Height at Minimum Swing Radius	8600

MACHINE PARAMETERS

Operating Weight	36000 kg
Engine Type	ISUZU GH-6HK1XKSC
Engine Max Power (Gross)	212 kW @ 2000 rpm
Engine Max Torque	1080 Nm @ 1500 rpm
Engine Displacement	7.79 L
Swing Speed	9.5 rpm
Travel Speed	5.5/3.5 km/h
Fuel Tank Capacity	690 L
Engine Oil Capacity	36 L
Bucket Digging Force	235 kN
Ground Pressure	65 kPa

OPERATING RANGE



Material and specifications are subject to change without notice.
Feature machines in photos may include additional equipment.



1300 BROOKS (276 657)

@ service@brooksequipment.com.au

www.brooksequipment.com.au

BROOKS
EQUIPMENT